



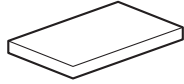
# INSTALLATION INSTRUCTIONS

Accessory	Application	Publications No.
HONDA MUSIC LINK (For iPod®)	2007 FIT	<b>All 31716</b>
		Issue Date
		<b>MAR 2006</b>

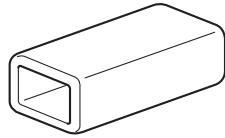
## PARTS LIST

Attachment Kit (sold separately)  
P/N 08A28-1H1-800

4 Cushion tapes



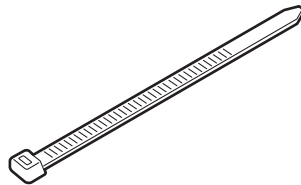
Holder cushion



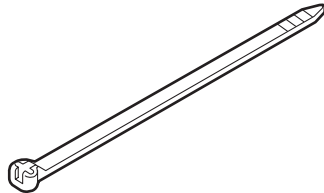
Grommet



8 Wire ties

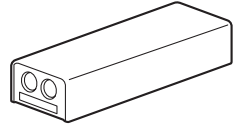


2 Long wire ties

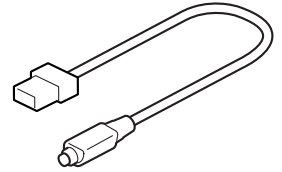


Honda Music Link Kit (sold separately)  
P/N 08A28-1H1-100

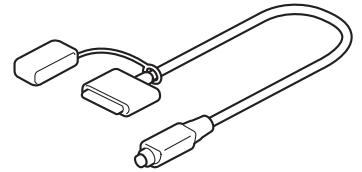
Honda Music Link unit



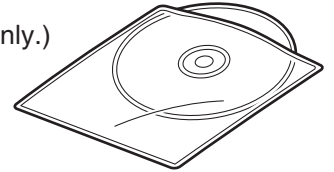
Bus cable



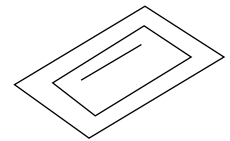
Music Link harness



CD-ROM  
(For home computer use only.)



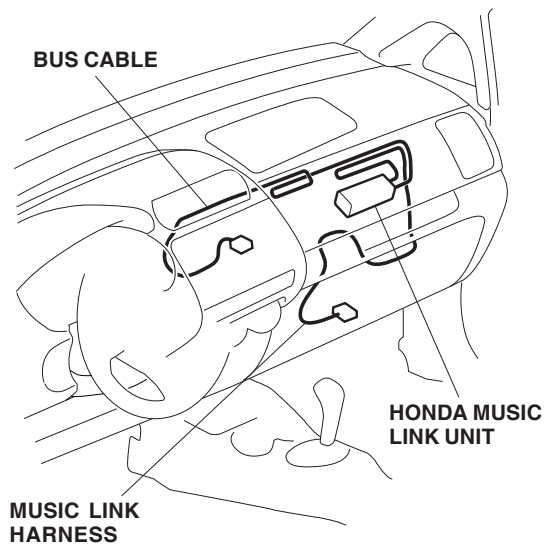
Quick reference guide



## TOOLS AND SUPPLIES REQUIRED

#2 Phillips screwdriver  
Flat-tip screwdriver  
Drill  
Drill bit (3 mm)  
Hole saw (19 mm) (3/4")  
Pushpin  
10 mm Combination wrench  
Ratchet  
8 mm and 10 mm Sockets  
Isopropyl alcohol  
Shop towel  
Tape measure  
Utility knife  
Scissors  
Eye protection (face shield, safety goggle, etc.)  
Felt-tip pen  
Electrical tape

## Illustration of the Honda Music Link Installed on the Vehicle

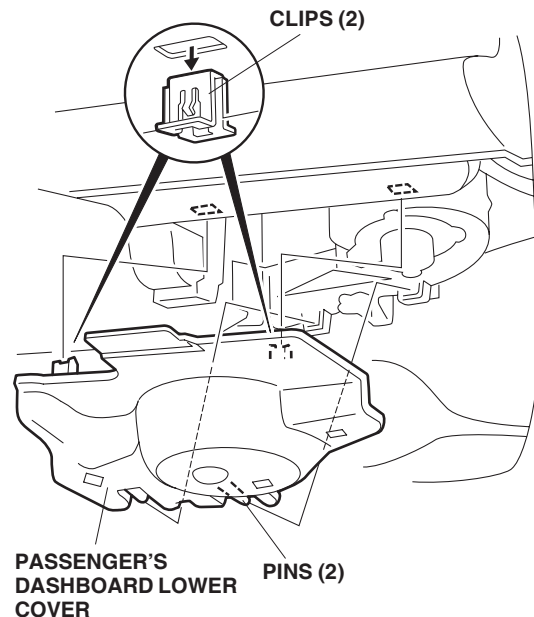


## INSTALLATION

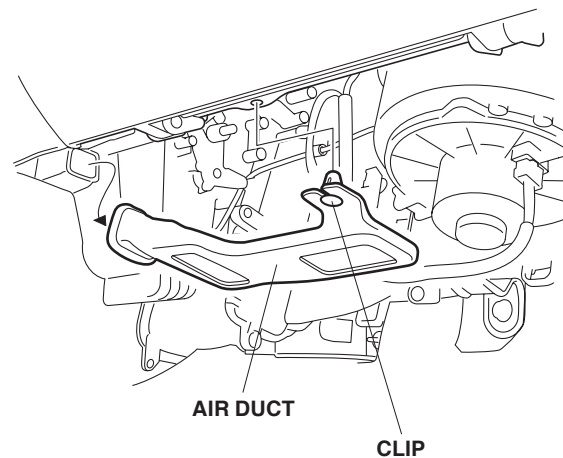
**Customer Information:** The information in this installation instruction is intended for use only by skilled technicians who have the proper tools, equipment, and training to correctly and safely add equipment to your vehicle. These procedures should not be attempted by “do-it-yourselfers.”

1. Make sure you have the anti-theft code for the radio, then write down the radio station presets.
2. Disconnect the negative cable from the battery.

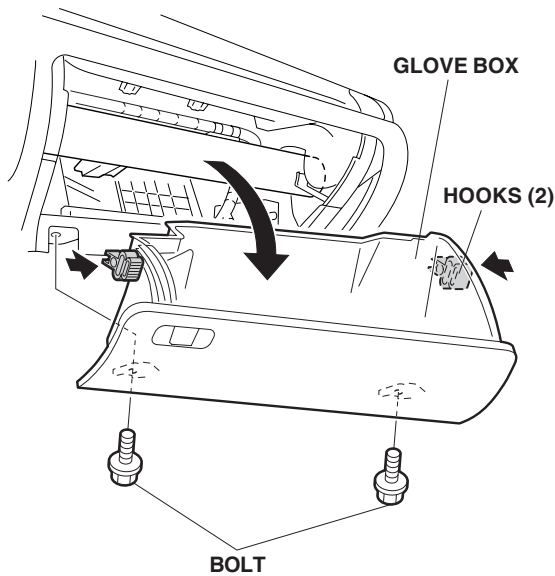
3. Remove the passenger's dashboard lower cover (two clips and two pins).



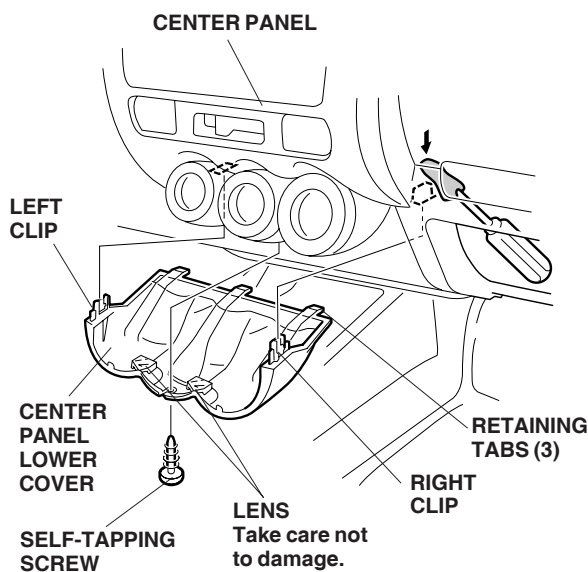
4. Remove the air duct (one clip).



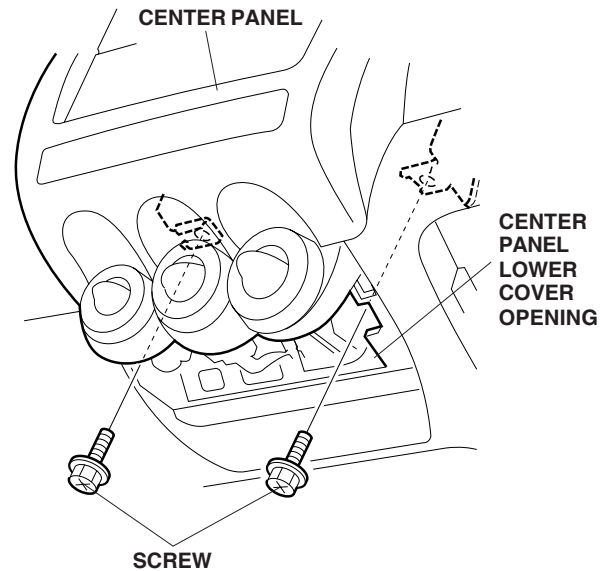
- Remove the glove box (two bolts, and open the glove box to remove the two hooks).



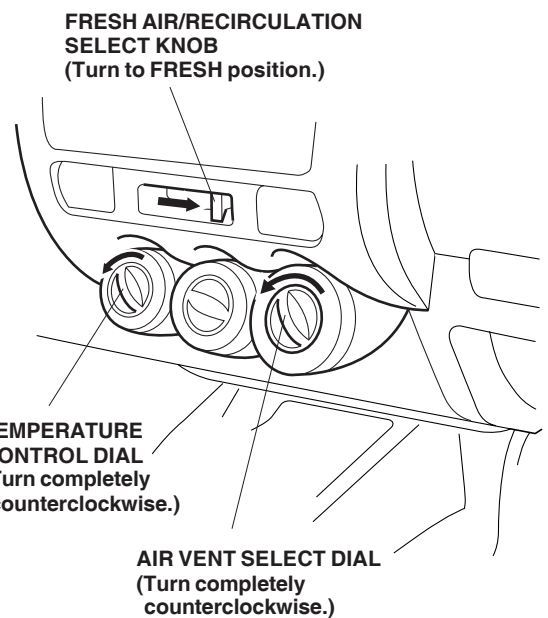
- Remove the center panel lower cover:
  - Remove the self-tapping screw.
  - Using a shop towel around the end of the screwdriver, reach through the glove box opening, and release the right clip.
  - Release the left clip, then pull out to release the three retaining tabs.



- Reach through the center panel lower cover opening and remove the two screws that secure the center panel bracket.

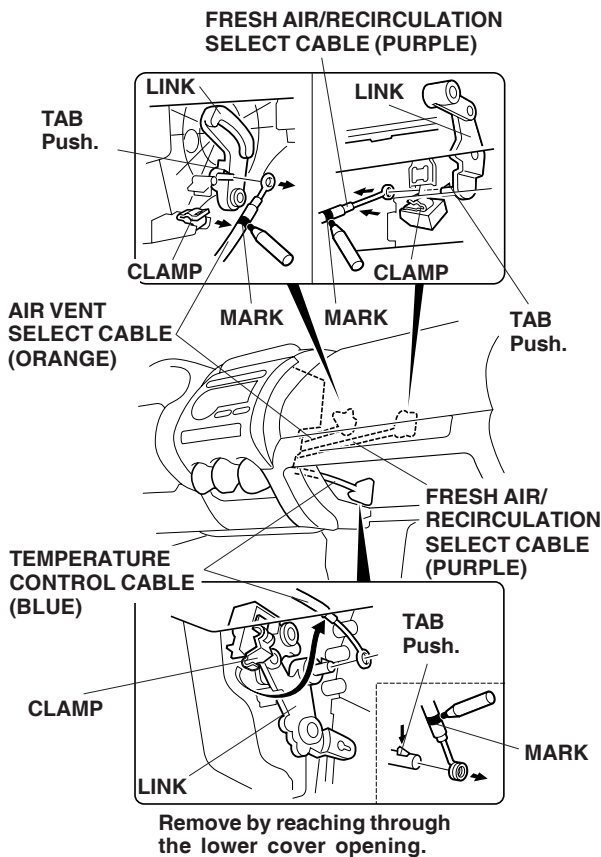


- Turn the FRESH AIR/RECIRCULATION SELECT KNOB to the FRESH position.



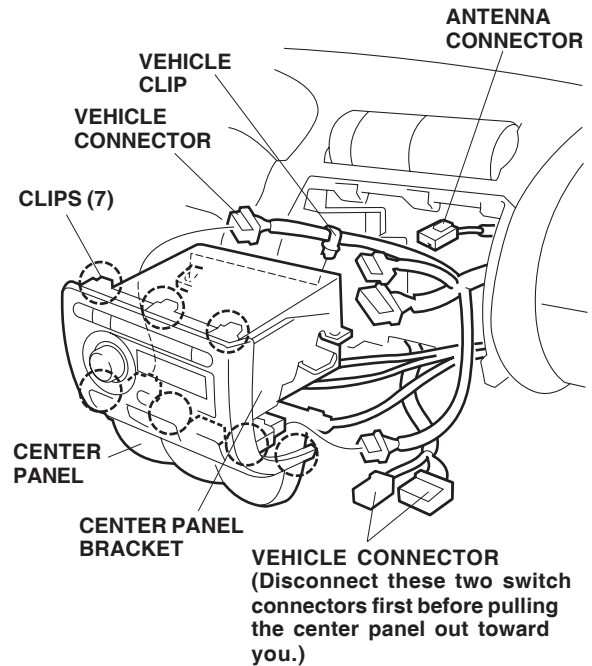
- Turn the TEMPERATURE CONTROL DIAL to COOL MAX position.
- Turn the AIR VENT SELECT DIAL to UP position.

11. Using a felt-tip pen, mark the location of the FRESH AIR/RECIRCULATION and AIR VENT SELECT CABLES locations at the clamp. Reach through the glove box opening, and remove the FRESH AIR/RECIRCULATION and AIR VENT SELECT CABLES from the clamps, then push down on the tabs and slide the cables from the link pins. Take care not to damage the pins and mounting seats of the clamps when removing the cables.



12. Using a felt-tip pen, mark the location of the TEMPERATURE CONTROL CABLE at the clamp. Remove the TEMPERATURE CONTROL CABLE from the clamp, then push down on the tab and slide the cable from the link pin. Take care not to damage the pin and mounting seat of the clamp when removing the cable.

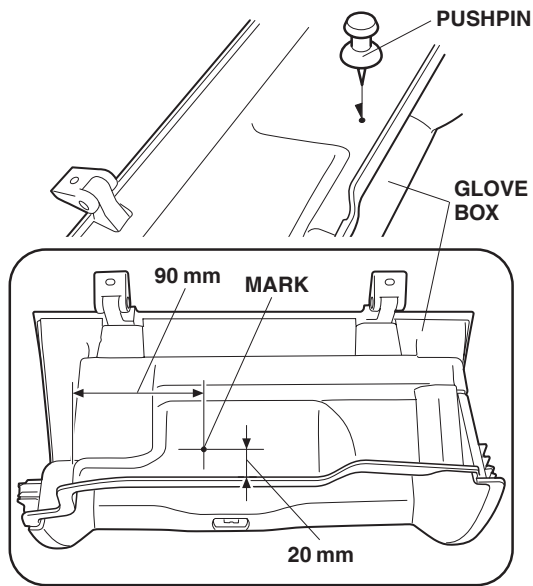
13. Pull the center panel out toward you (seven clips). Take care that the center panel will not scratch the dashboard.



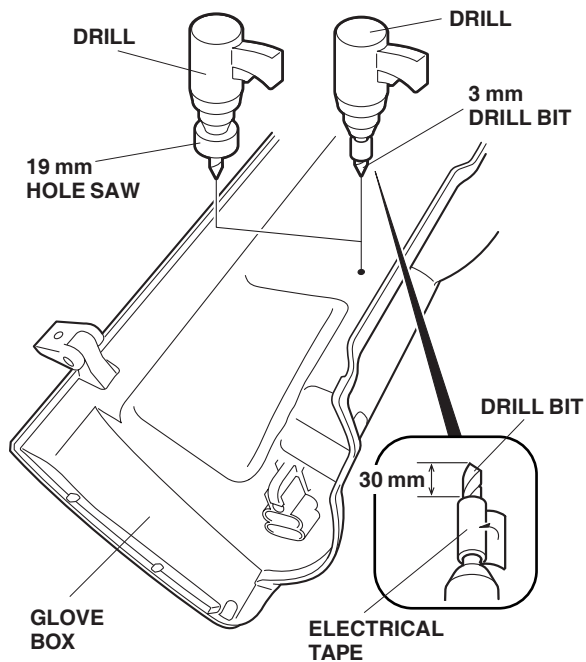
14. Unplug the vehicle connectors, and the antenna connector from the center panel unit, and remove the center panel (on some models, it is necessary to release the vehicle harness clip from the hole in the center panel bracket).

Note the routing of the cables.

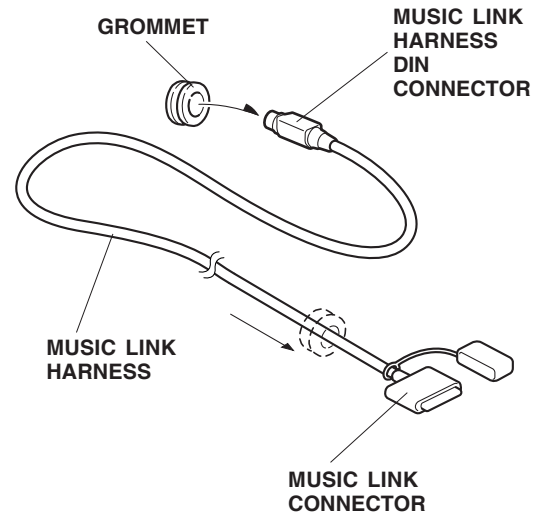
- Using the pushpin, mark the glove box at the measurements shown.



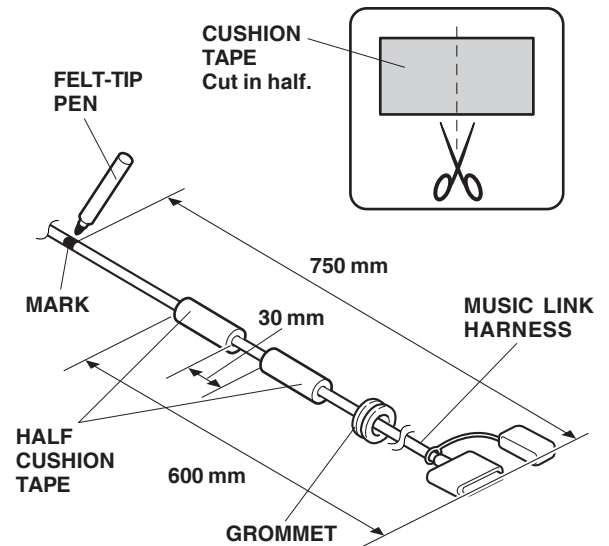
- While wearing eye protection, drill a 19 mm hole through the glove box at the marked location. First drill with a 3 mm drill bit wrapped with electrical tape 30 mm from the tip, and finish with a 19 mm hole saw.



- Install the grommet to the Music Link harness from the DIN connector side, and slide it toward the Music Link connector.

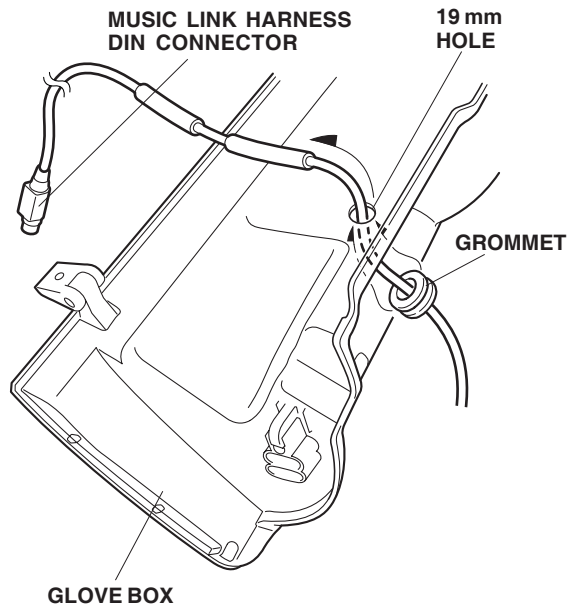


- Using felt-tip pen, mark the Music Link harness at the measurement shown.

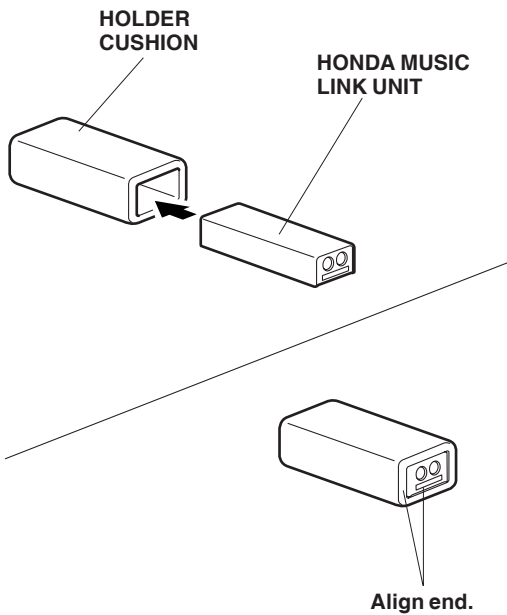


- Using scissors, cut one cushion tape in half.
- Wrap two pieces of cut cushion tape around the Music Link harness at the locations shown.

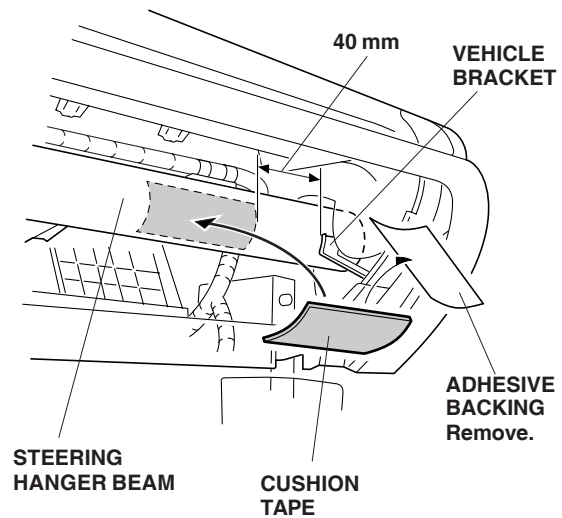
21. Route the Music Link harness DIN connector through the 19 mm hole in the glove box, and seat the grommet into the hole.



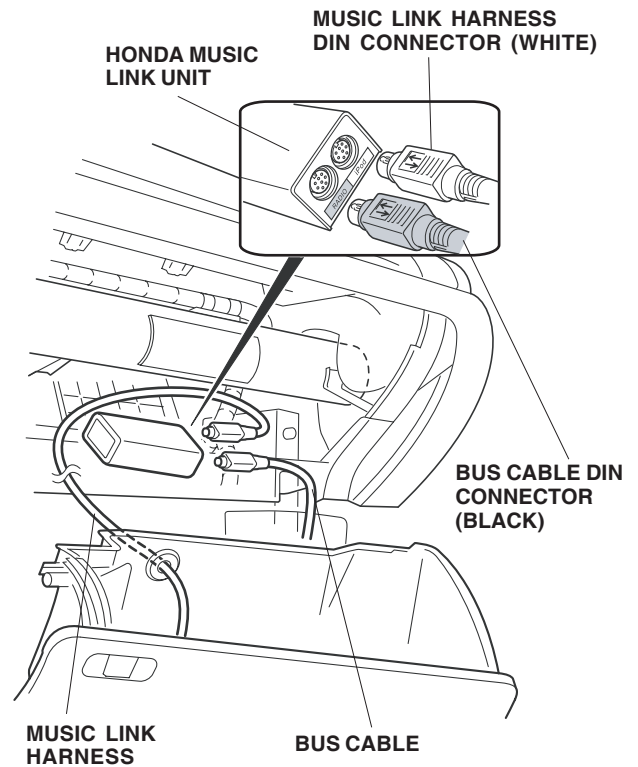
22. Insert the Honda Music Link unit into the holder cushion.



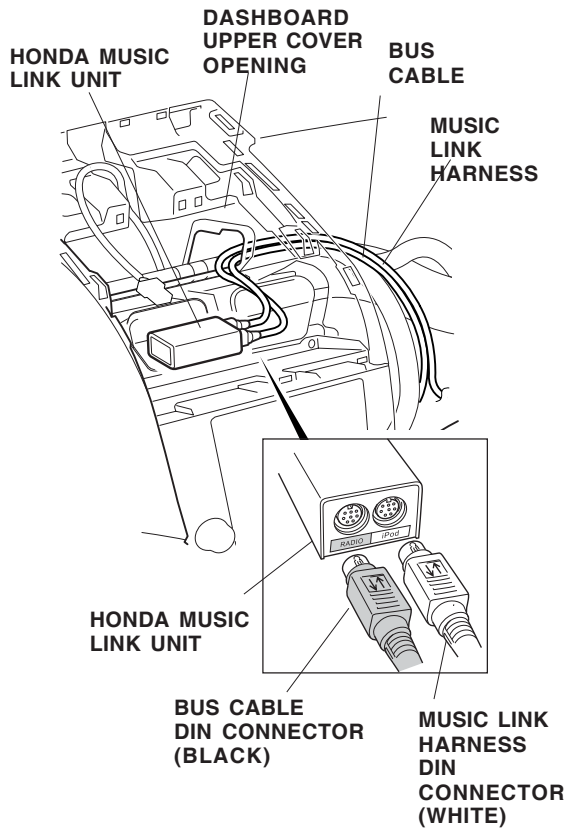
23. Using isopropyl alcohol on a shop towel, clean the front side steering hanger beam where the cushion tape will attach. Remove an adhesive backing from the cushion tape, and attach it to the front side steering hanger beam as shown.



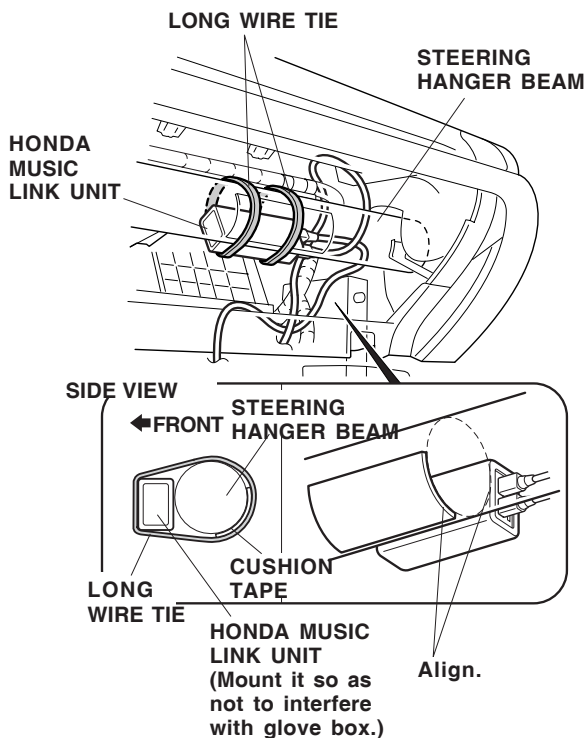
24. Plug the BUS cable DIN connector (BLACK) and Music Link harness DIN connector (WHITE) into the Honda Music Link unit.



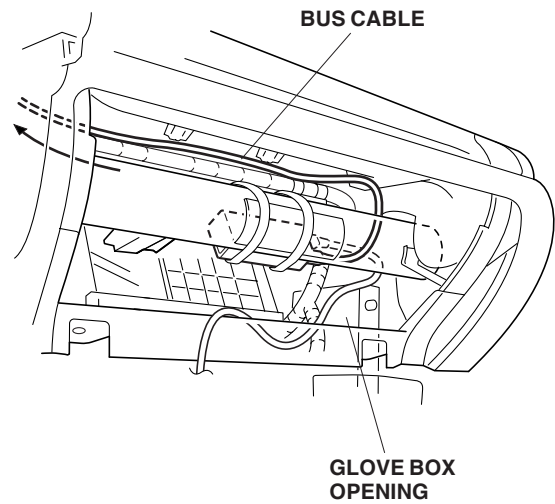
NOTE: To unplug the BUS cable DIN connector pull back on the lock release slide collar.



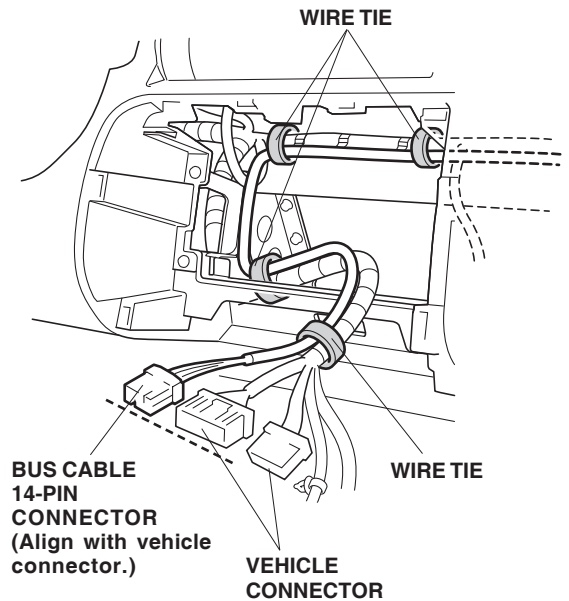
25. Mount the Honda Music Link unit behind the steering hanger beam with the two long wire ties.



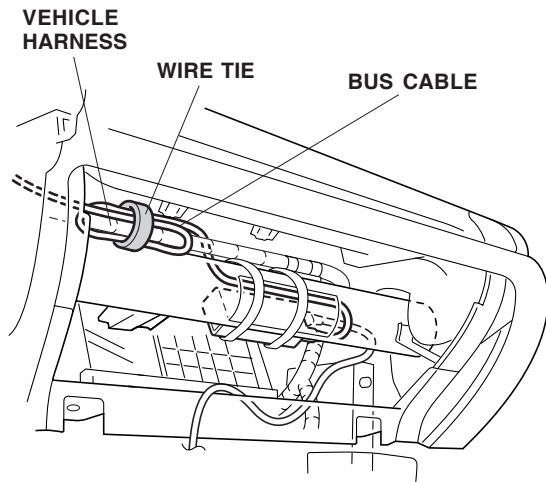
26. Route the BUS cable from the glove box opening through to the center panel opening.



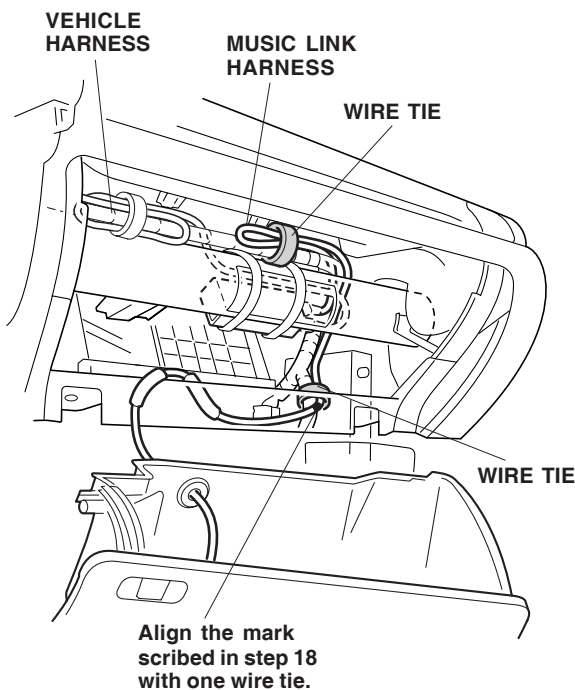
27. Align the BUS cable 14-pin connector with vehicle connectors, then secure the BUS cable to the vehicle harness with one wire tie.



28. Secure the BUS cable to the vehicle harness with three wire ties in the areas shown.
29. Loop the excess BUS cable, and secure it to the vehicle harness with the one wire tie .



30. Secure the Music Link harness to the vehicle harness with one wire tie at the location marked in step 18.



31. Loop the excess Music Link harness, and secure it to the vehicle harness with one wire tie.
32. Check that all wire harnesses are routed properly and all connectors are plugged in.
33. Reconnect the negative cable to the battery.
34. Enter the customer's radio anti-theft code, and reset the radio station presets.
35. Set the clock.
36. Reinstall all removed parts.

NOTE: Search functions (disc 1-4) require the TTS software to be installed. The Music Link will operate in shuffle modes (disc 5-6) only without the TTS software installed.

37. Turn the radio unit ON. Set mode to Honda Music Link by pressing "CD" until display "CDC" or "CD4" is shown on the radio display. If "CD-C EJECT" is on the display, unit is in proper working orders.

NOTE: When the battery is disconnected, the driver's window AUTO function is disabled.

38. Start the engine. Push down on the driver's window switch until the window is fully open.
39. Pull up on the driver's window switch to close the window completely, then hold the switch for 2 seconds or more.
40. Lower and raise the driver's window to check operation of the driver's window AUTO function.